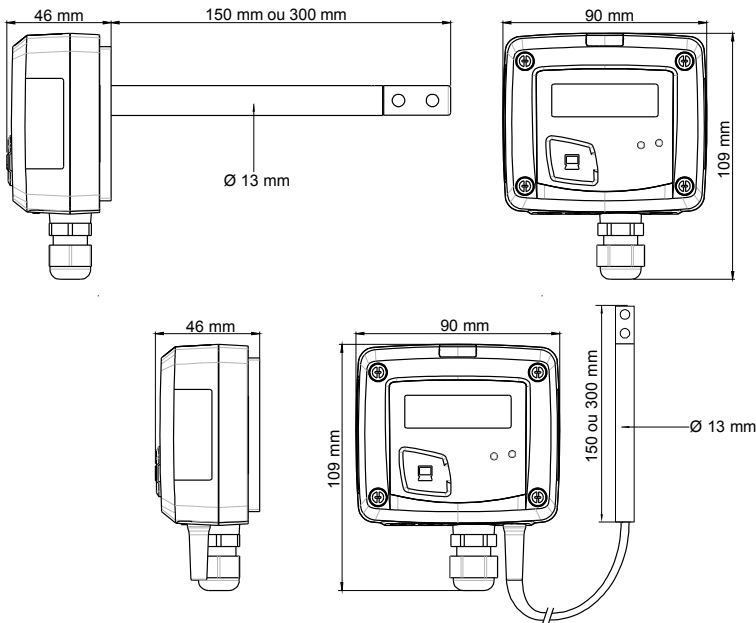


# CTV 110

- 0 ~ 30m/s, 0 to 50 °C
- 0~10V 4-20mA active, 24 Vac/Vdc (3-4 wires)
- ABS V0, IP65, 가
- "¼ turn" system mounting with wall-mount plate



ABS V0 as per UL94

IP65

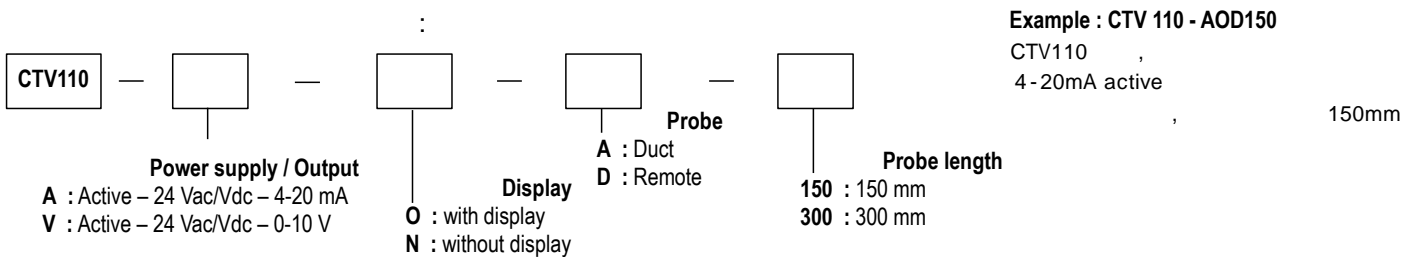
LCD 10 digits. Size : 50 x 17 mm  
Alternating display of air velocity and temperature

**Height of digits**  
Values : 10 mm  
Units : 5 mm

For cable Ø 8 mm maximum

: 164 g

: length 2 m and  
Ø 4.8 mm in PVC



	From 0 to 50 °C (possibility to set the output on the following ranges : from -20 to +80 °C, from -50 to +50 °C and from 0 to +100 °C)
	±0.3% of reading ±0.25 °C
	°C, °F
	1/e (63%) 5 s
	Pt100 1/3 DIN
	0.1 °C
	Air and neutral gases

\*All the accuracies indicated in this technical datasheet were stated in laboratory conditions, and can be guaranteed for measurements carried out in the same conditions, or carried out with calibration compensation.

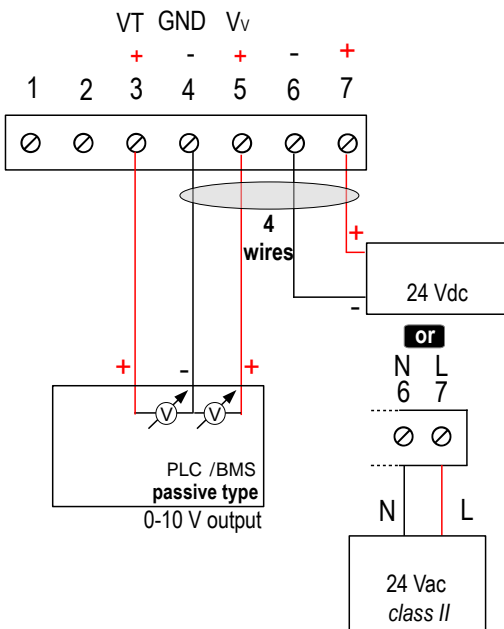
	From 0 to 5m/s, from 0 to 10 m/s, from 0 to 15 m/s, from 0 to 20 m/s and from 0 to 30 m/s
	From 0 to 3 m/s : $\pm 3\%$ of reading $\pm 0.05$ m/s From 3 to 30 m/s : $\pm 3\%$ of reading $\pm 0.2$ m/s
	m/s and fpm
	1/e (63%) 2 s
	From 0 to 3 m/s : 0.01 m/s From 3 to 30 m/s : 0.1 m/s
	Air and neutral gases

/	- active sensor 0-10 V or 4-20 mA (alim. 24 Vac/Vdc $\pm 10\%$ ), 3-4 wires - maximum load : 500 Ohms (4-20 mA) - minimum load : 1 K Ohms (0-10 V)
	40 mA (0-10 V) or max. 80 mA (4-20 mA)
	EN61326
	Screw terminal block for cables $\varnothing 0.05$ to 2.5 mm <sup>2</sup>
PC	Kimo USB-mini Din cable
	Air and neutral gases
	From 0 to +50 °C
	From -10 to +70 °C

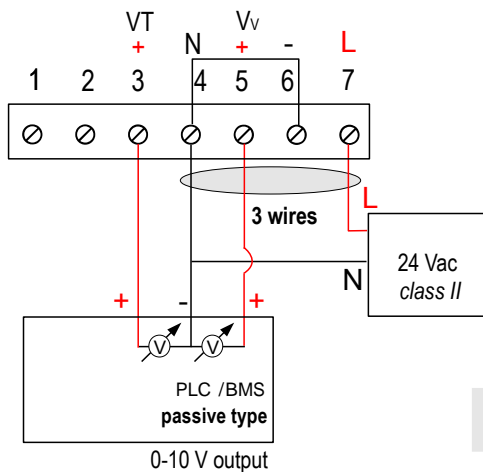
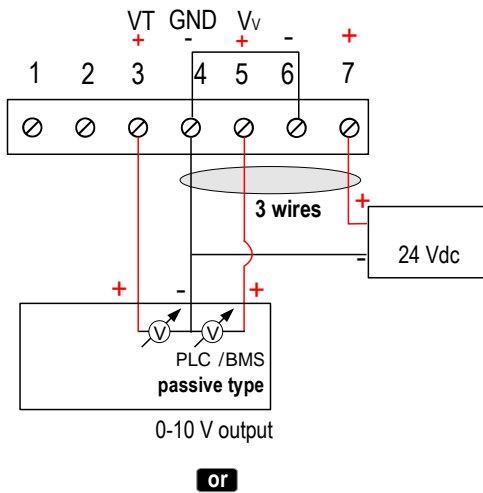
- NFC15-100 standard

**!** This connection must be made by a qualified technician. **To make the connection, the transmitter must not be energized.**

For **CTV110-VNA, CTV110-VND, CTV110-VOA, CTV110-VOD** models with 0-10 V output – active :



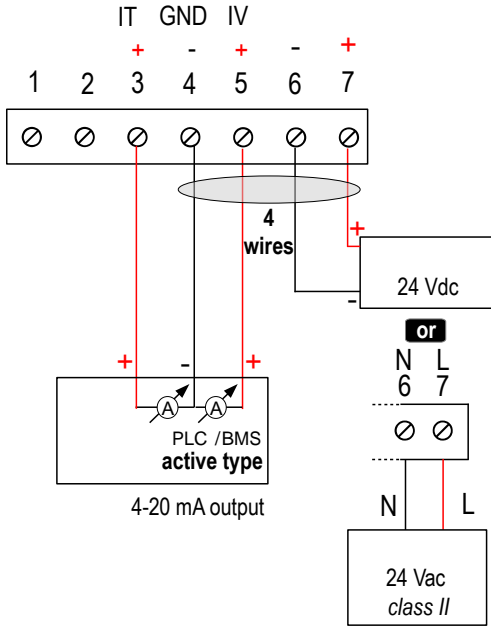
**!** To make a 3-wire connection, before powering up the transmitter, please connect the output ground to the input ground. See drawing below.



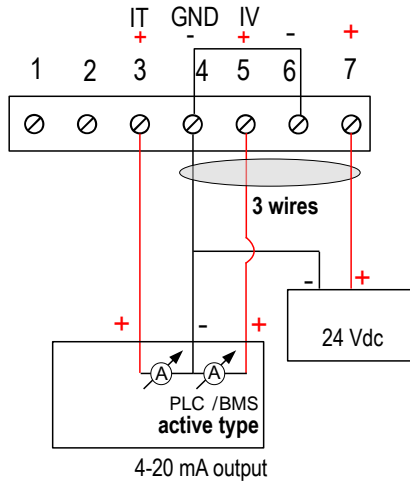
==== 4 wires

==== 3 wires

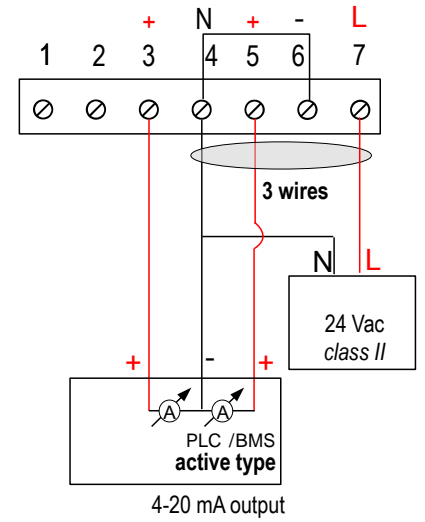
For CTV110-ANA, CTV110-AND, CTV110-AOA, CTV110-AOD models with 4-20 mA output – active :



To make a 3-wire connection, before powering up the transmitter, please connect the output ground to the input ground. See drawing below.

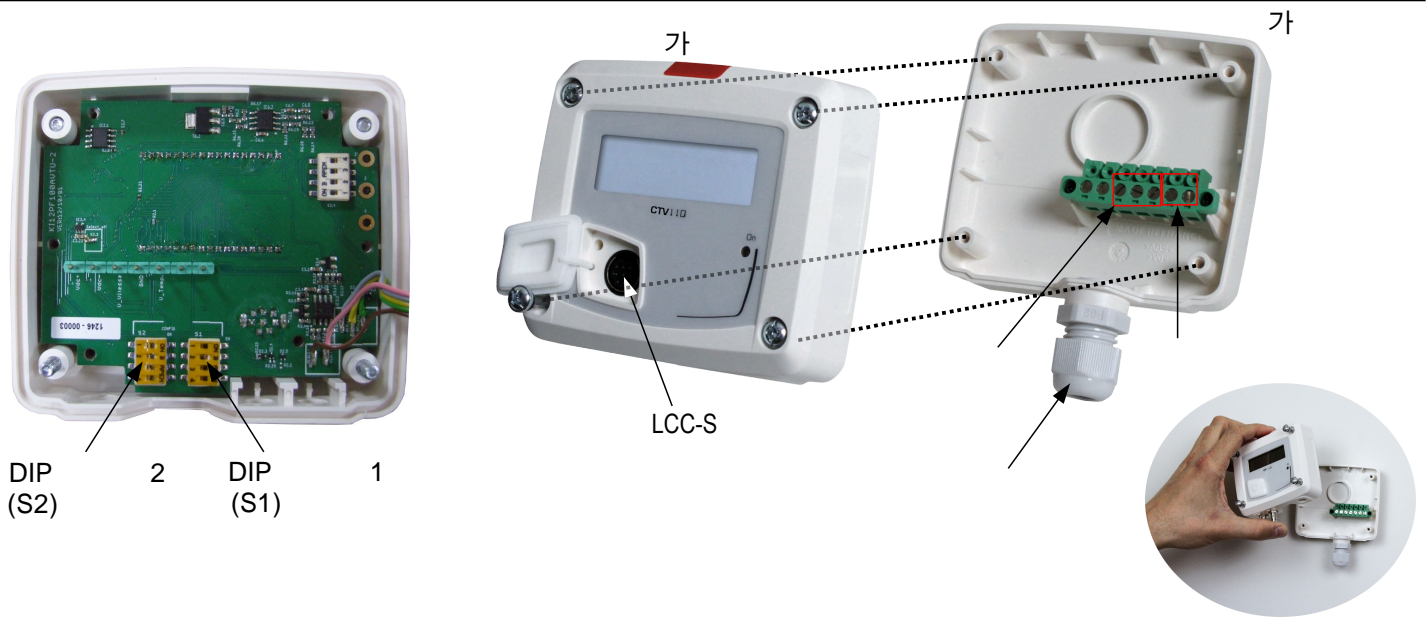


OR



4 wires

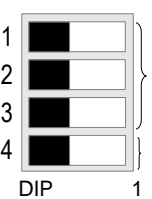
3 wires



To configure the transmitter, it must not be energized. Then, you can make the settings required, with the DIP switches (as shown on the drawing below). When the transmitter is configured, you can power it up.



"CONF ERROR", 가



Configurations	m/s	fpm
1		1
2		2
3		3
4		4

DIP switch 1  
1 (4)

DIP	DIP switch 1 1(1,2,3)		From 0 to 5 m/s	From 0 to 10 m/s	From 0 to 15 m/s	From 0 to 20 m/s	From 0 to 30 m/s
		1					

DIP	DIP switch 1 1 (4)		°C	°F
		1		

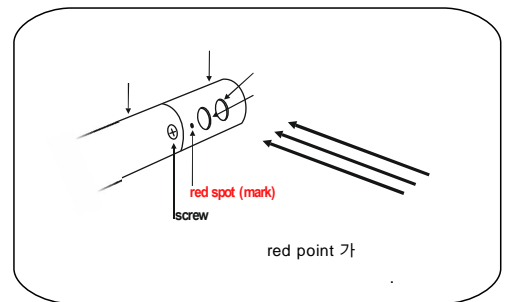
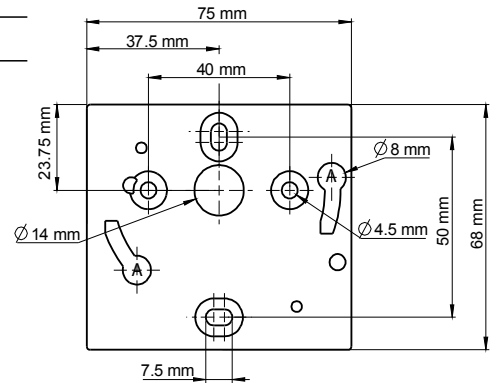
DIP	DIP switch 2 1(1,2,3)		From 0 to +50°C	From -20 to +80°C	From -50 to +50°C	From 0 to 100°C	From 0 to 200°C
		1					

(LCC - S software )

PC	DIP		1	
		2		

LCC-S  
DIP LCC100 가 가

6mm 가 ABS  
"A" 30



가 가  
Red point 1/4, 1/2, 3/4

가 , 가

- KIAL-100A : Class2 , 230Vac input, 24Vac output
- LCC-S : USB

www.kimocorea.com

Distributed by :



EXPROT DEPARTMENT  
Tel : 02-338-0023 Fax : 02-338-0083  
e-mail : kimo@kimocorea.com

FTang - transmitter\_CTY110 - 31/05/13 - RCS (24) Périgueux 349 282 095 Non-contractual document - We reserve the right to modify the characteristics of our products without prior notice.